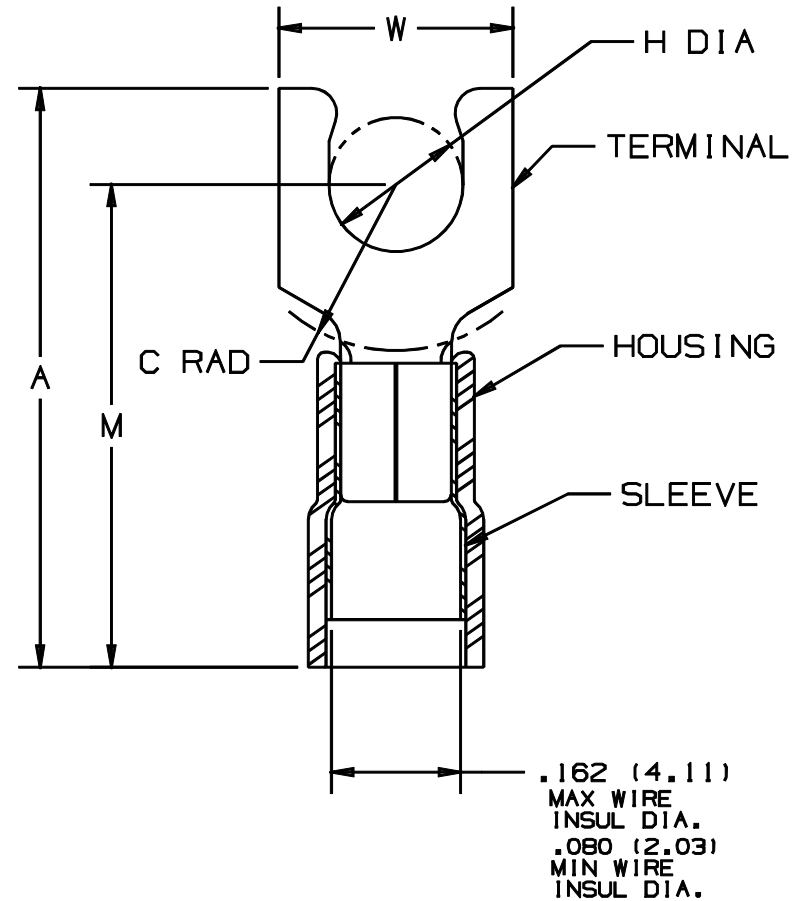


THIS COPY IS PROVIDED ON A RESTRICTED BASIS AND IS NOT TO BE USED IN ANY WAY DETRIMENTAL TO THE INTERESTS OF PANDUIT CORP.

PANDUIT PART NUMBER	STUD SIZE	DIMENSIONS in.				
		A ±.04	W ±.01	C ±.02	M ±.04	H ±.01
PN14-5SLF	#5	.75 (19.05)	.25 (6.35)	.19 (4.83)	.64 (16.26)	.12 (3.05)
PN14-6SLF	#6	.75 (19.05)	.25 (6.35)	.19 (4.83)	.64 (16.26)	.14 (3.56)
PN14-8SLF	#8	.80 (20.32)	.29 (7.36)	.23 (5.84)	.68 (17.27)	.16 (4.06)
PN14-10SLF	#10	.81 (20.57)	.33 (8.38)	.23 (5.84)	.68 (17.27)	.19 (4.83)
PN14-14SLF	1/4"	.90 (22.86)	.44 (11.18)	.28 (7.11)	.74 (18.80)	.25 (6.35)



NOTES :

- UL LISTED AND CSA CERTIFIED FOR :
 - A. 600 V MAX. VOLTAGE RATING (1000V MAX. IN SIGNS, FIXTURES, AND LUMINAIRES)
 - B. 221°F (105°C) MAX. TEMP. RATING OF INSUL. MAT'L.
 - C. #16-14 AWG SOLID OR STRANDED, COPPER WIRE
- PACKAGE QTY. : -C = 100
-M = 1000
- MATERIAL :
 - A. STAMPING - .03" THK COPPER, TIN PLATED
 - B. HOUSING - BLUE NYLON
 - C. SLEEVE - BRASS, TIN PLATED
- DIMENSIONS IN BRACKETS ARE IN MILLIMETERS
- INSTALLATION TOOLS :
 - UL LISTED AND CSA CERTIFIED: CT-510
 - PANDUIT RECOMMENDED: CT-400, CT-460
 - CT-500, CT-550, CT-1550, CT-1551, CT-2455CH
- WIRE STRIP LENGTH: $7/32^{+1/32}_{-0}$ (5.6^{+0.8}₋₀)



LISTED
587H
E52164



CERTIFIED
LR31212

A41651_00

PANDUIT

CORP.

TINLEY PARK, ILLINOIS

3PC. NYLON INSULATED,
16-14 BARREL, SHORT LOCKING FORKS

00 7/97 TM

DWG. RELEASED

REV	DATE	BY	CHK	DESCRIPTION	ECN #	CUST	PM	DRAWN BY	CHK'D	SCALE	DRAWING NO.
								T SMA		NONE	A41651